

NEXUS-3 Series Hardware Upgrade

Summary

NEXUS has been upgraded to more robust NEXUS-3 hardware, for improved reliability and smaller size

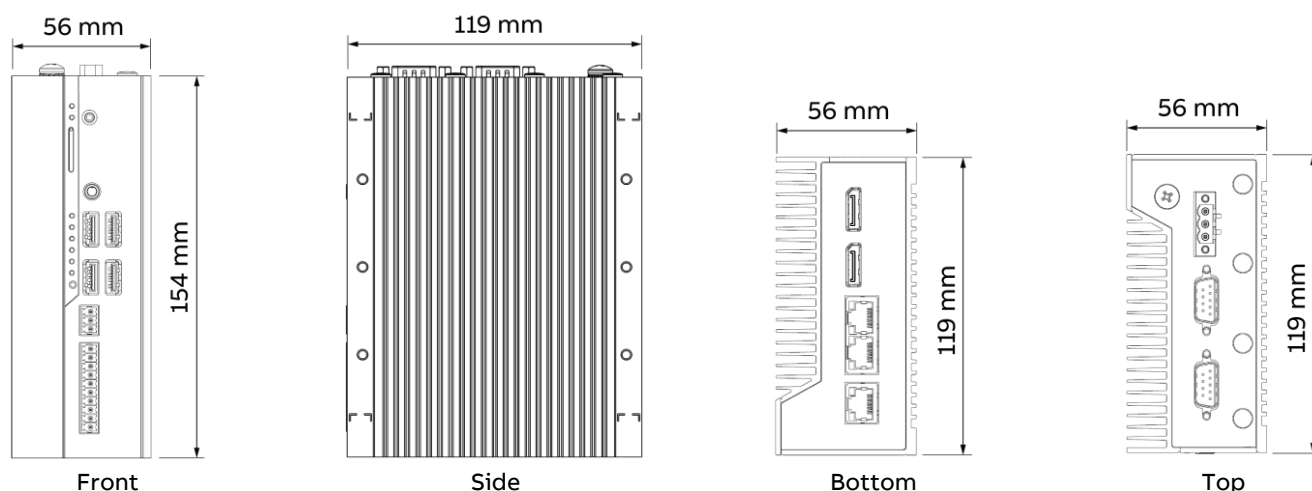
Background

The NEXUS 2 hardware has reach End-Of-Life, and so ABB have identified hardware that can match all existing features and offer some additional benefits.

Features

FORM FACTOR

NEXUS-3 is a smaller form-factor than NEXUS 2:



POWER SUPPLY

The NEXUS-3 comes with a supplied DIN-rail mounted 24 V DC PSU.



Warning: NEXUS-3 can be powered by a 24 V DC supply only.

The device will be damaged if connected to a 24 V AC power source.

The cable from PSU to NEXUS-3 device should be min 0.5 mm² cross-section (20 AWG), with max length 3 m.

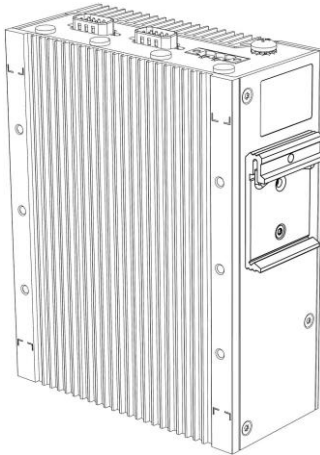
RS485 CONNECTIONS

RS485 port 1 and RS485 port 2 are on the side that is usually at the top of the NEXUS-3, but it is possible to mount the device upside-down if replacing a NEXUS 2 device, where the ports were on the bottom.

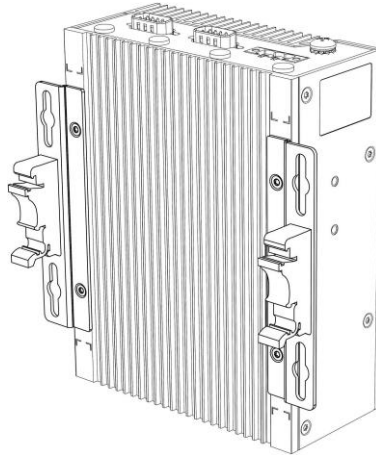
The ports are DB-9 form factor, but NEXUS-3 is shipped with 2 screw-terminal adapters, which should be securely attached to the DB-9 connectors as soon as the NEXUS-3 is removed from its packaging.

MOUNTING

NEXUS-3 DIN-rail mounting is more conveniently arranged than NEXUS-2, allowing either edge or back mounting:



DIN Rail Edge Mounting



DIN Rail Back Mounting

ORDERING INFORMATION

NEXUS-3 Order Code	Replaces
ABB2CQG100111R2021 NEXUS-3-264 ACE 64 devices, 4000 points	2CQG100103R2021 NEXUS-264 2CQG100107R2021 NEXUS-264-A 2CQG100108R2021 NEXUS-264-G 2CQG100109R2021 NEXUS-264-F
ABB2CQG100110R2021 NEXUS-3-2128 ACE 128 devices, 8000 points	2CQG100102R2021 NEXUS-2128 2CQG100104R2021 NEXUS-2128-A 2CQG100105R2021 NEXUS-2128-G 2CQG100106R2021 NEXUS-2128-F

Customer Impact

Customers ordering NEXUS hardware from June 2021 onwards should design for the new hardware footprint.

Customers replacing existing NEXUS 2 hardware with NEXUS-3 units should make allowances for the differences highlighted above.